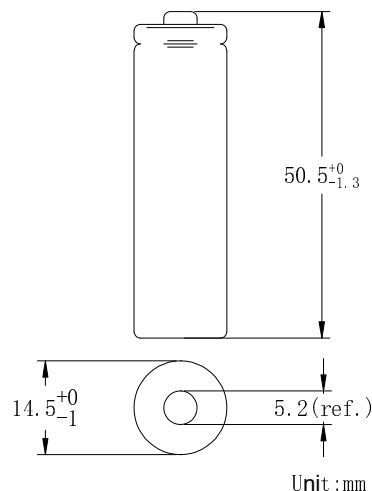
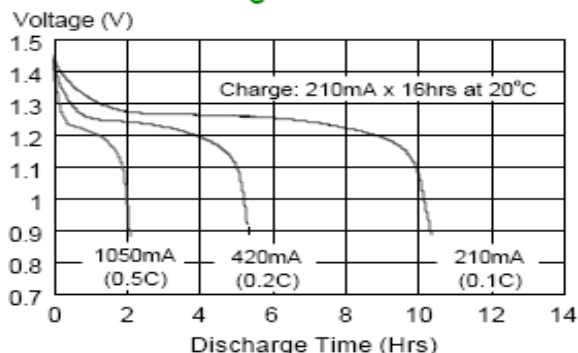


Model No.: GP210AAHCE

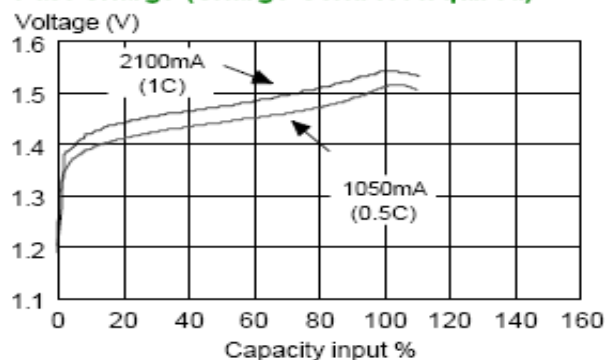
Type	: Rechargeable Nickel Metal Hydride Cylindrical Cell
Recycled material content	: Rechargeable Nickel Metal Hydride Battery Made with Minimum 10% Recycled materials
Nominal Dimension (with Sleeve)	: $\Phi = 14.5\text{mm}$ H = 50.5mm
Applications	: Recommended discharge current 210 to 6300mA
Nominal Voltage	: 1.2V
Capacity	: Rated: 2100mAh Typical: 2150mAh When discharged at 420mA to 1.0V at 20°C
Charge Retention	: 80% of nominal capacity after cell storage at 20°C for 12months When discharged at 420mA to 1.0V at 20°C
Charging Conditions	: 200mA for 16 hrs at 20°C
Fast Charge	: 1050mA to 2100mA (0.5 to 1C) charge termination control recommended control parameters: - ΔV : 0-5mV DT/dt : 0.8°C/min (0.5 to 0.9C) 0.8 - 1°C/min (1C) TCO : 45 - 50°C Timer : 105% nominal input (for ref. only)
Service Life	: >500 cycles (IEC standard)
Continuous Overcharge	: 210mA maximum current for 1 year. No conspicuous deformation and/or leakage
Weight	: 27.2g
Internal Resistance	: Average 18m Ω upon fully charged (Max.28m Ω) at 1000Hz
Max. Charging Voltage	: 1.5V at 210mA charging
Ambient Temperature Range	: Standard Charge : 0 to 45°C Fast Charging : 10 to 45°C Discharge : -20 to 50°C Storage : -20 to 35°C



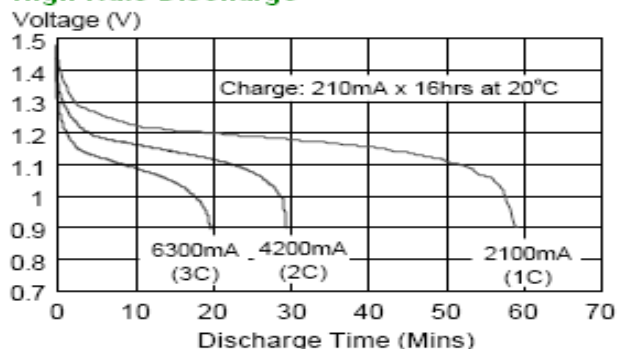
Low Rate Discharge



Fast Charge (Charge Control Required)



High Rate Discharge



The information (subject to change without prior notice) contained in this document is for reference only and should not be used as a basis for product guarantee or warranty. For applications other than those described here, please consult your nearest GP Sales and Marketing Office or Distributors.